

WWW.JFY-INTERNATIONAL.COM

JFY INTERNATIONAL

*YOUR GLOBAL PARTNER IN
SHEET METAL TECHNOLOGY*

JFY

Member of the TRUMPF Group

Address: 168 South Jian Road, Hanjiang District, Yangzhou, PRC

Sales: sales-international@jinfangyuan.com

Service: service-international@jinfangyuan.com

Website: www.jfy-international.com

JFY

Member of the TRUMPF Group

Best in price-performance

The right machine for your production, the right tool for your application and a customer service that enables you to stay successful and competitive - this is what JFY International stands for. Our large range of sheet metal processing machines offer the right solution for every customer. The vital questions for choosing the right equipment: What are your requirements regarding material and quality? How high is your average capacity? What do you need to make your manufacturing as cost-effective as possible? Discover our comprehensive range of products and find out how you can make your production even more successful on the following pages.



CONTENT

Facts and Figures	1
Company Profile	3
Why JFY International?	5
Product Overview	7
Laser Technology	9
Bending Technology	27
Punching Technology	39
JFY Services	45

Facts and Figures

All sheet metal processing solutions out of one hand? JFY International makes it possible. With more than 25 years of experience in 2D-Laser cutting, punching, and bending technology we offer the whole bandwidth of production solutions.

> **20.000** installed machines

No. 1
brand in bending technology

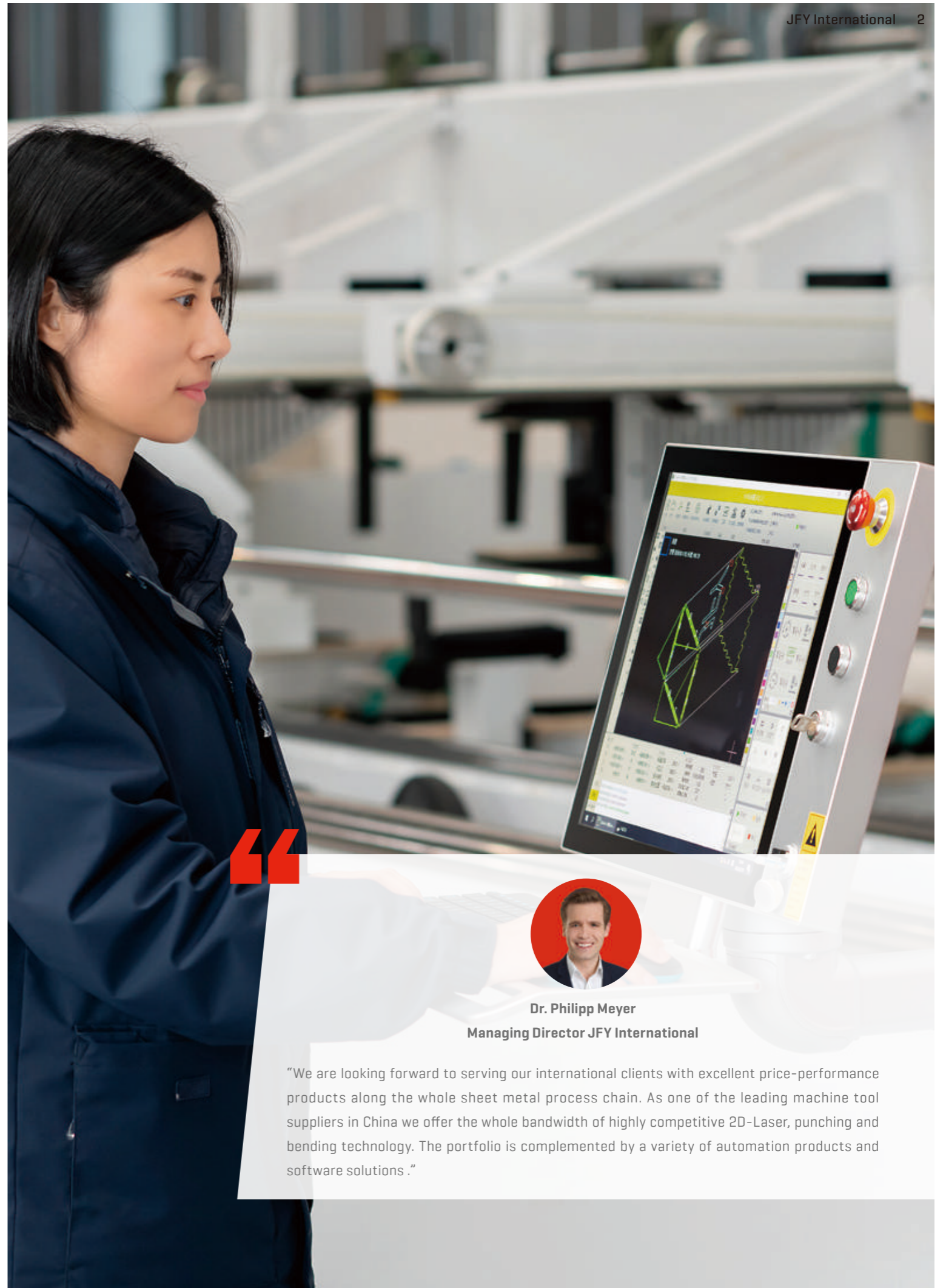
Customers in more than
50 countries

More than
2.000
bending machines sold p.a.

24/7
service support

Network of
45 distributors worldwide

780 employees



Dr. Philipp Meyer
Managing Director JFY International

“We are looking forward to serving our international clients with excellent price-performance products along the whole sheet metal process chain. As one of the leading machine tool suppliers in China we offer the whole bandwidth of highly competitive 2D-Laser, punching and bending technology. The portfolio is complemented by a variety of automation products and software solutions.”

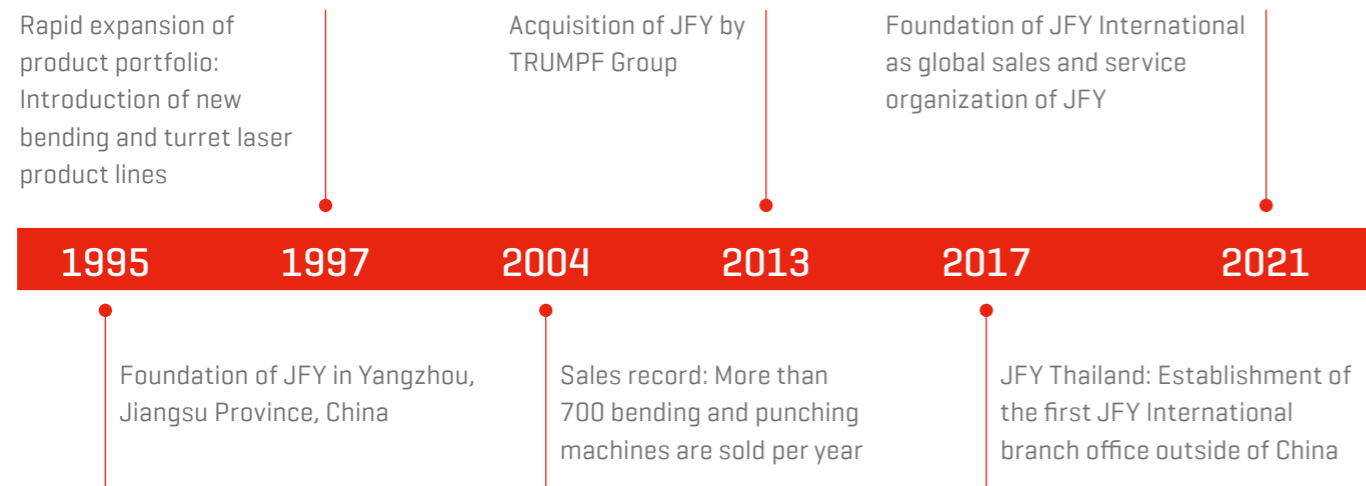
Company Profile



JFY is a wholly owned TRUMPF subsidiary, specialized on the development and manufacturing of CNC machines.

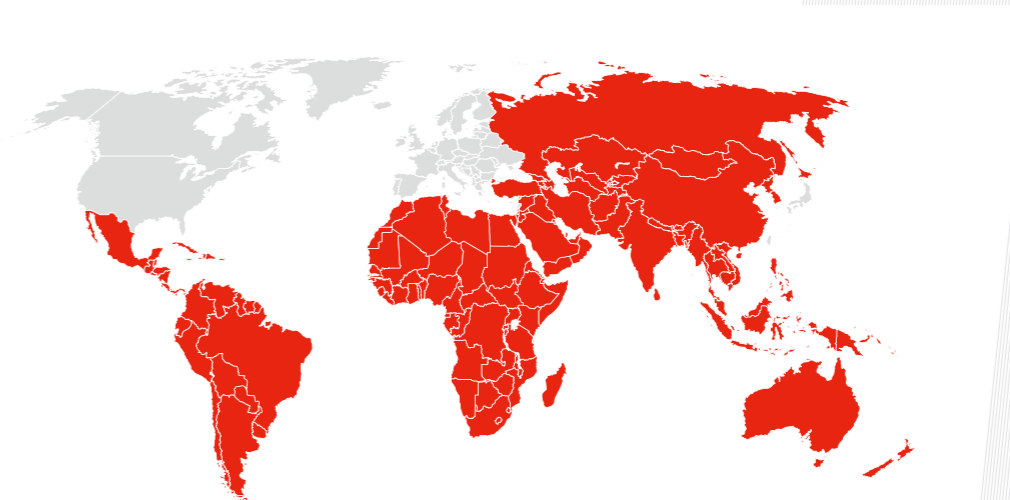
The company is headquartered in Yangzhou, China and has one of the largest and advanced manufacturing plants in the industry. Being among the leading providers of bending and punching technology in China, JFY has a strong R&D footprint and is certified under ISO9001.

Following the acquisition by TRUMPF in 2013 the product portfolio of JFY was continuously extended and now comprises the whole range of flexible sheet and tube processing equipment. TRUMPF Fiber Laser Technology is used to ensure first class cutting quality and maximum productivity.



JFY International: The global sales and service organization of JFY serves all customers outside China.

With its global network of more than 45 sales and service partners JFY International is one of the leading international suppliers of flexible sheet and tube processing technologies. JFY International was established in October 2021 and sells more than 500 machines per year to customers in Asia, the Middle East, South America, Africa and Europe. With its global team of well-trained service engineers, its worldwide spare parts network and training facilities in Asia and Latin America, JFY International provides all customers with a best-in-class service support.



Fair prices. Attractive financing. Short delivery times.

JFY International offers all products at a competitive and fair price. Customers can benefit from favorable financing programs tailored to their needs and market requirements, thereby reducing uncertainties during the investment process. Lastly, customers can expect swift delivery of machines, with average lead times of 45 days for bending and 60 days for laser machines. For standard machines JFY International offers an instant delivery of machines within three days.



Why JFY International?

Uncompromising in quality and performance



Best price-performance

Industry leader in mid-price sheet metal processing since 1995. First choice for customers seeking high machine performance at a reasonable price.

Industry leader in quality

Highest quality standards and maximum operating convenience. More than 20.000 machines sold globally.

Solution provider

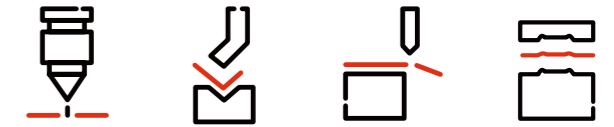
Comprehensive portfolio of bending-, punching- and laser machines along the entire sheet metal process chain.

Global technical service

Global network of well-trained service engineers and 24/7 availability of 2nd level service support.

Product Overview

Our product portfolio



CNC laser cutting machines



High-speed CNC shearing machines



High-speed laser tube cutting machines



High-speed hydraulic CNC bending machines



Loading and unloading systems



CNC bus bar punching machines



High-speed hydraulic and servo motor NC turret punch machines



Storage and automation solutions

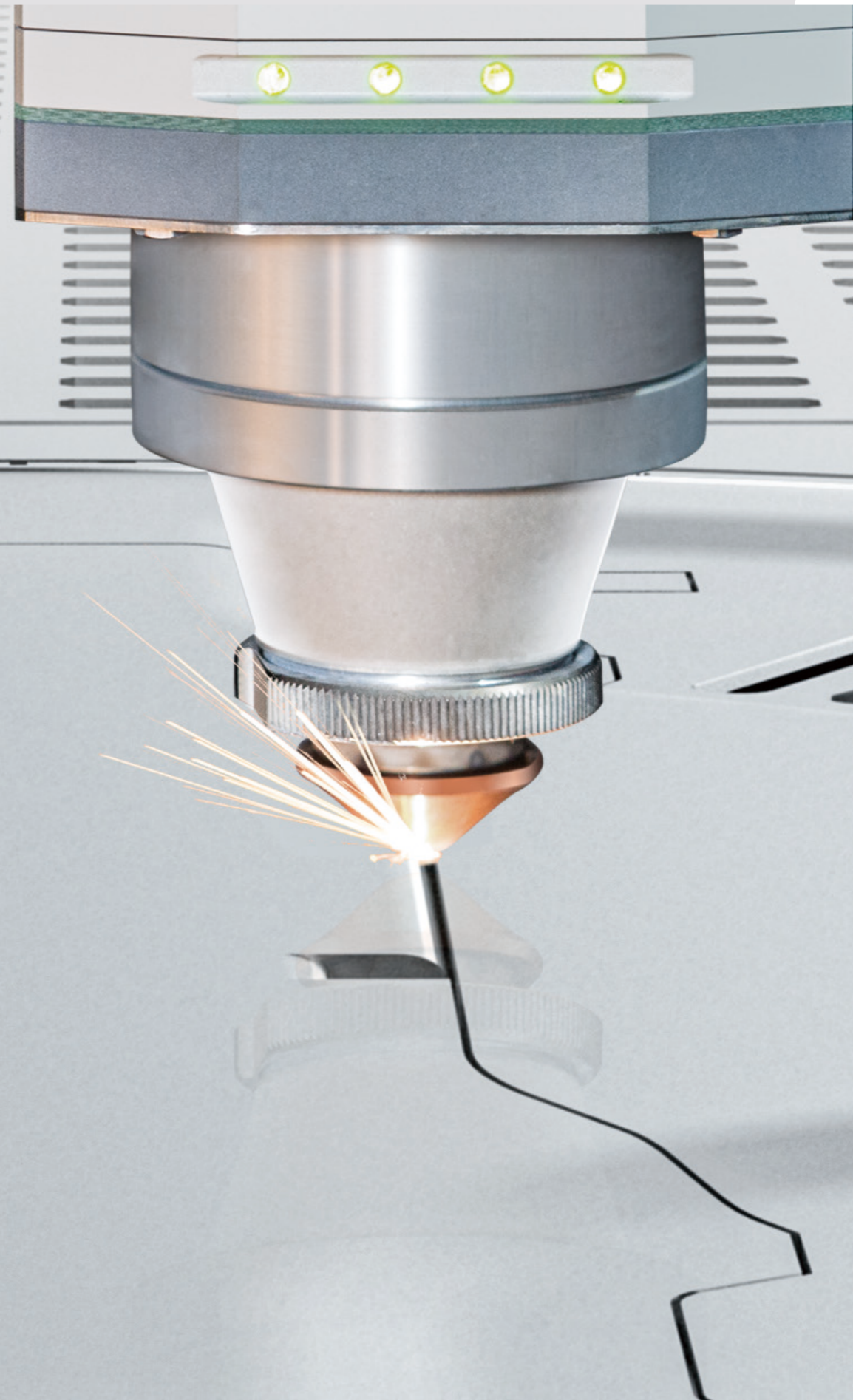


Laser Technology

Cost effective cutting solutions for your applications

Customers around the world place their trust in JFY as one of the leading suppliers of laser cutting machines. Laser technology from JFY gives you the security of knowing you have chosen a highly flexible and extremely productive machine for your processing needs. We will support you every step of the way, from developing your application to choosing the right technology, components and software.

<https://jfy-international.com/> »



BFC Laser Cutting Machine

A high-performance laser machine which opens a broad spectrum of cutting applications for various industries.



High Safety Standard

Fully enclosed machine with certified components to avoid laser radiation hazards

Global service support

Professional local and remote service support to ensure fast response

Reliable optics and cutting quality

Good optics and cutting quality with JFY fiber laser and Raytool cutting unit

Easy to operate

Ergonomic design and operation with extra-large screen and online monitoring of cutting performance

Optimized price performance ratio

Reliable machine with higher cost effectiveness and professional manufacturing process

Standard Configuration

CNC Control

FSCUT is a laser cutting control system that is specifically designed for the sheet metal industry. With the integrated HMI from JFY, its high performance and design ensure maximum productivity and ergonomic operation.

Special Features:

- User-friendly interface for easy setup and operation.
- Support of various piercing functions [e.g. multiple stage piercing process, segmented and stepping patterns].
- Support of various cutting technologies [e.g. fly cut, frog-leap, kerf compensation and lead-in cutting functions].
- Support of various file formats to import designs directly into the system.



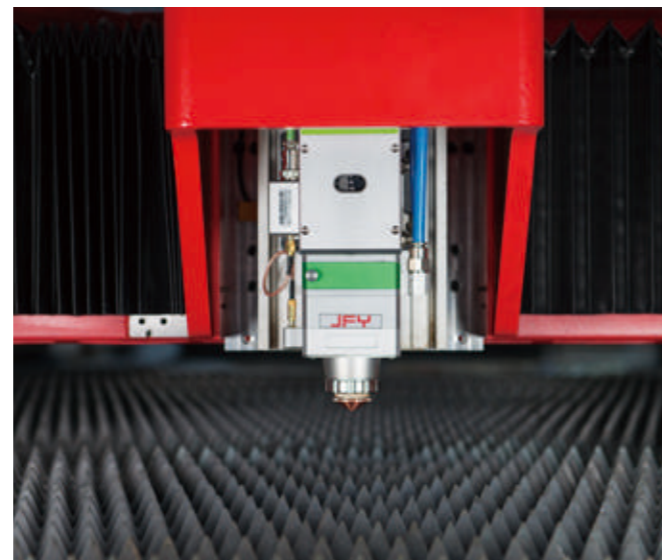
Laser Source

The new generation of single module fiber lasers from JFY offer the perfect blend of superior beam quality, compact size, and high light conversion efficiency. It is suitable for remote processing, high-frequency laser cutting and clean surface cutting.



Cutting Head

The BFC is equipped with the Raytool Auto Focus Laser Cutting Head. The optimized optical and water-cooling design enables the laser head to work continuously stable at high power for a long time.



Technical Parameter

Technical Data				
		BFC3015	BFC4020	BFC6020
Maximum format size that can be processed				
X-axis	mm	3050	4050	6050
Y-axis	mm	1545	2050	2050
Z-axis	mm	260	260	260
Workpiece				
Max. weight (up to 6KW)	kg	900	1600	2350
Max. speed				
Simultaneous	m/min			
Max. acceleration	g	1.7	1.7	1.7
Max. positioning speed	m/min	140	140	140
Accuracy				
Positioning deviation	mm	±0.03	±0.03	±0.03
Average positioning	mm	±0.03	±0.03	±0.03
Cutting accuracy	mm	±0.1	±0.1	±0.1
Machine performance				
CNC control		FSCUT 2000	FSCUT 2000	FSCUT 2000
Time of table exchange	sec	10	13	16
Machine net weight	kg	8000	10000	13000

Laser Data			
		JFY 3KW	JFY 6KW
Max. power	W	3000	6000
Cutting head		Raytool BM110	Raytool BM06K
Wavelength	um	1080±10	1080±10
Output type		QBH	QBH
Output fiber optic diameter	um	100	100
Max. sheet thickness			
Mild steel	mm	22	25
Stainless steel	mm	16	25
Aluminum	mm	12	20
Copper	mm	-	-
Brass	mm	10	20

BFC Plus Laser Cutting Machine

The BFC Plus sets a new standard for productivity and cost-effectiveness. Equipped with a TruFiber Laser of TRUMPF the machine is extremely flexible and reliable. The best combination of price and quality.

NEW
Generation
with TruFiber



High Safety Standard

Fully enclosed machine with certified components to avoid laser radiation hazards

Global service support

Professional local and remote service support to ensure fast response

Proven optics and cutting quality

Excellent optics and cutting quality through TRUMPF fiber laser and premium cutting unit

Convenient to use

Upgraded control system with convenient extra-large screen to enable online programming

Optimized price performance ratio

Reliable machine with higher cost-effectiveness and professional manufacturing process

Standard Configuration

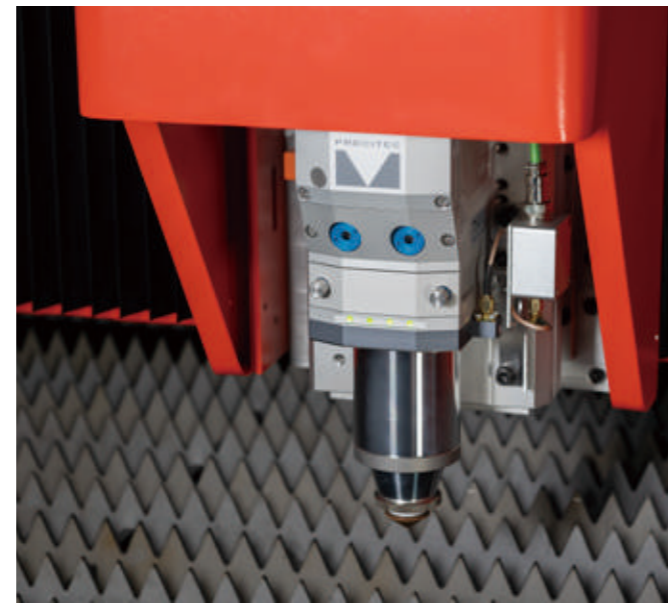
The new generation of TruFiber

- TruFiber is the ultimate fiber laser solution for all your cutting needs.
- In fact, TruFiber delivers excellent process stability and consistent process results.
- Furthermore, the technology requires a minimum of maintenance.



Cutting Head

- Precitec cutting unit with outstanding performance.
- High cutting speed due to low weight.
- Stable processing of thick materials.
- Easy and quick maintenance.



CNC Control

FSCUT4000 is a widely used and proven laser cutting control system that is designed for high speed and precision applications. Advanced functions [e.g. automatic edge detection, break-point memory, and power ramping] ensure high cutting quality and efficiency. Overall, the FSCUT4000 provides a versatile and efficient solution for laser cutting operations, improving productivity and reducing material waste.



Technical Parameter

Technical Data				
		BFC3015+	BFC4020+	BFC6020+
Maximum format size that can be processed				
X-axis	mm	3050	4050	6050
Y-axis	mm	1545	2050	2050
Z-axis	mm	260	260	260
Workpiece				
Max. weight (up to 6KW)	kg	900	1600	2350
Max. speed				
Simultaneous	m/min			
Max. acceleration	g	1.7	1.7	1.7
Max. positioning speed	m/min	140	140	140
Accuracy				
Positioning deviation	mm/m	±0.03	±0.03	±0.03
Average positioning	mm	±0.03	±0.03	±0.03
Cutting accuracy	mm/m	±0.1	±0.1	±0.1
Machine performance				
CNC control		FSCUT 4000	FSCUT 4000	FSCUT 4000
Time of table exchange	sec	10	13	16
Machine net weight	kg	8000	10000	13000

Laser Data				
		TruFiber 3KW	TruFiber 4KW	TruFiber 6KW
Max. power	W	3000	4000	6000
Cutting head		Precitec LM	Precitec LM	Precitec PC
Wavelength	um	1071±2	1071±2	1071±2
Output type		QBH	QBH	QBH
Output fiber optic diameter	um	100	100	100
Max. sheet thickness				
Mild steel	mm	22	22	25
Stainless steel	mm	16	20	25
Aluminum	mm	12	20	20
Copper	mm	-	-	20
Brass	mm	10	10	20

EFC II Laser Cutting Machine

A high-performance mid-price laser machine equipped with TruFiber Cut Laser up to 6 kW. Smart design and material flow ensure maximum productivity at minimal investment costs.



High Safety Standard

Fully enclosed machine with certified components to avoid laser radiation hazards

High operating efficiency

Reliable CNC control and offline programming software enable maximum machine utilization and ensure high cutting quality with pre-installed cutting parameters

Automation options

Machine is available with loading and unloading systems as well as storage solutions

Optimized price performance ratio

Reliable machine with higher cost-effectiveness and professional manufacturing process

Global service support

Professional local and remote service support to ensure fast response

Standard Configuration

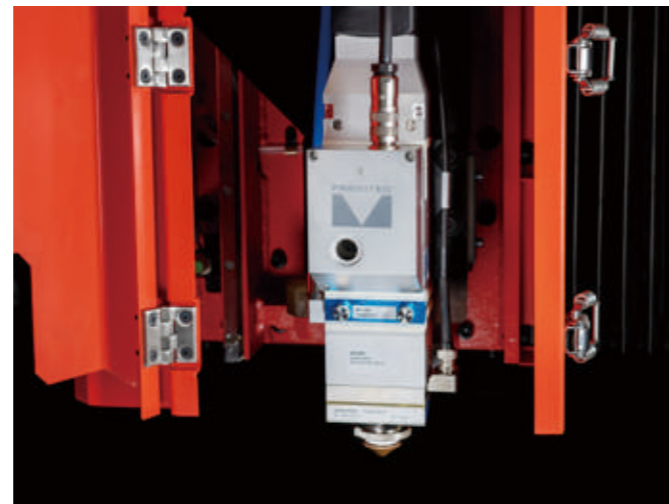
CNC Control

This CNC control system is based on the Windows platform and has been proven to be reliable and high-performing.



Cutting Head

Our cutting head is designed with built-in protective glasses, ensuring reliable and optimized cutting quality. These protective glasses safeguard the optics from potential debris or damage that may come from the process zone. Overall, this results in a significantly higher durability of the cutting head, as well as higher cutting precision.



The new generation of TruFiber

- TruFiber is the ultimate fiber laser solution for all your cutting needs.
- In fact, TruFiber delivers excellent process stability and consistent process results.
- Furthermore, the technology requires a minimum of maintenance.



Programming Software

Using offline programming software can improve material utilization and process efficiency. On the one hand, programming software can optimize the nesting process to reduce material waste. On the other hand, it can simplify the programming process by converting simple and complex part drawings into processing programs - which results in faster production times. The Lantek programming software is a proven solution based on latest technology.



Technical Parameter

Technical Data		EFCII3015	EFCII4020	EFCII6020	EFCII6025
Maximum format size that can be processed					
X-axis	mm	3100	4100	6100	6100
Y-axis	mm	1580	2080	2080	2580
Z-axis	mm	280	280	280	280
Workpiece					
Max. weight (up to 6KW)	kg	900	1600	2350	2950
Max. speed					
Simultaneous	m/min				
Max. acceleration	g	1.5	1.4	1.2	1
Max. positioning speed	m/min	140	140	140	140
Accuracy					
Positioning deviation	mm	±0.03	±0.03	±0.03	±0.03
Average positioning	mm	±0.03	±0.03	±0.03	±0.03
Cutting accuracy	mm	±0.1	±0.1	±0.1	±0.1
Machine performance					
CNC control		BeckHoff	BeckHoff	BeckHoff	BeckHoff
Time of table exchange	sec	10	13	16	16
Machine net weight	kg	8000	10000	13000	14000

Laser Data		TruFiber 1KW	TruFiber 2KW	TruFiber 3KW	TruFiber 4KW	TruFiber 6KW
Max. power	W	1000	2000	3000	4000	6000
Cutting head		Precitec LM	Precitec LM	Precitec LM	Precitec LM	Precitec PC
Wavelength	um	1071±2	1071±2	1071±2	1071±2	1071±2
Output type		QBH	QBH	QBH	QBH	QBH
Output fiber optic diameter	um	50	50	100	100	100
Max. sheet thickness						
Mild steel	mm	16	18	22	22	25
Stainless steel	mm	8	10	16	20	25
Aluminum	mm	4	6	12	20	20
Copper	mm	-	-	-	-	-
Brass	mm	3	6	10	10	20

LTP Laser Tube Cutting Machine

High-precision tube processing equipment with maximum productivity and operating convenience.



Automatic loading and unloading

Efficient high-volume production with automatic loading system to minimize machine idle time

Dynamic real-time cutting simulation

to ensure smooth production without interruption

High precision control system

with pre-installed cutting parameters to ensure high cutting quality of a wide range of tube materials

Open profile

Maximum flexibility of processing requirements

Reliable clamping system

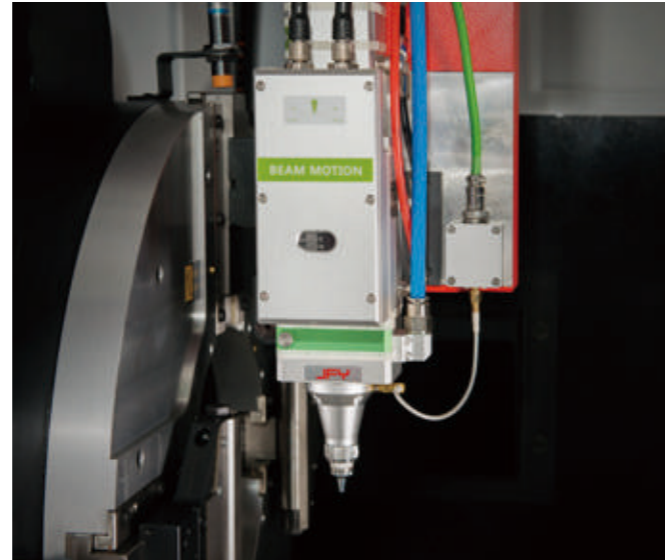
Precise positioning and dynamic tube feeding

Standard Configuration

Cutting Head

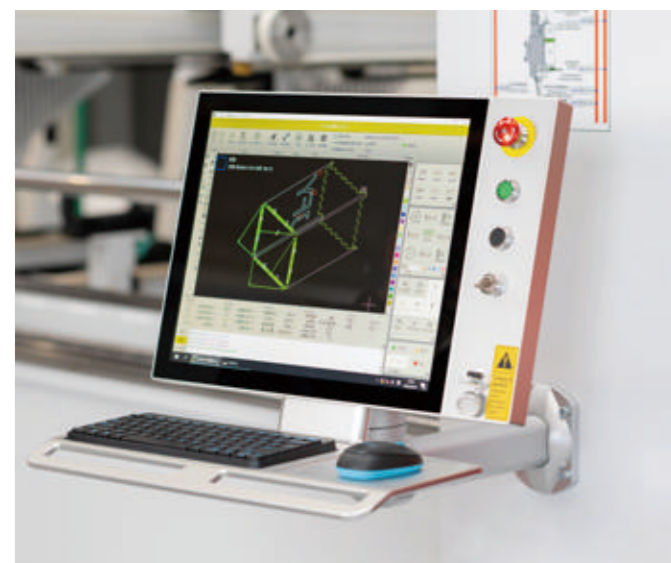
Well proven technology - RayTools BM110TC auto focus tube cutting head.

- Design with built-in protective glasses avoids damage from the process zone. Overall, this results in a significantly higher durability of the cutting head, as well as higher cutting precision.
- Enhanced dual cooling circuits ensure better cutting stability.
- Auto focus function reduces manual intervention for better power penetration and cutting efficiency.



CNC Control

FSCUT5000 with EtherCAT BUS system is a widely used and stable solution, optimized for fiber laser tube cutting. The system ensures high application flexibility and real time reflective control.



Laser Source

The new fiber laser generation from JFY supports stable and high frequency laser cutting with high seam quality and material surface cleanness. In addition, the laser source provides high beam quality and power efficiency. Furthermore, its single module design reduces the maintenance effort.



Technical Parameter

Technical Data				
		LTP6022	LTP6032	LTP9032
Maximum format size that can be processed				
X-axis	mm	330	330	330
Y-axis	mm	7000	7000	10000
Z-axis	mm	280	280	280
Workpiece				
Tube size in round	mm	Φ20 ~ Φ220	Φ20 ~ Φ320	Φ40 ~ Φ320
Tube size in square	mm	Φ20 ~ Φ150	Φ20 ~ Φ220	Φ40 ~ Φ220
Max. weight of tube	kg	250	400	400
Max. speed				
Max. acceleration	g	1.2	0.8	0.8
Max. positioning speed	m/min	100	80	80
Accuracy				
Positioning deviation	mm/m	±0.03	±0.03	±0.03
Average positioning	mm	±0.02	±0.02	±0.02
Cutting accuracy	mm			
Machine performance				
CNC control		FSCUT 5000	FSCUT 5000	FSCUT 5000
Rotation of B1, B2 axes	degree	360°	360°	360°
Max. rotation of chuck	r/min	100	60	60
Machine net weight	kg	7000	8500	19200
Laser Data				
		JFY 3KW	TruFiber Cut 3KW	
Max. power	W	3000	3000	
Cutting Head		Raytool	Precitec LM	
Wavelength	um	1080±10	1071±2	
Output type		QBH	QBH	
Output fiber optic diameter	um	50	100	
Max. sheet thickness				
Mild steel	mm	8	8	
Stainless steel	mm	4	4	
Aluminum	mm	4	4	
Copper	mm	-	-	
Brass	mm	3	3	
Power consumption				
Average power consumption during production	kW	32	37	

Bending Technology

Producing the complete spectrum of bending parts

Whether you are bending complex or oversized parts: use our reliable technology to meet your various requirements – simple and without compromise.

<https://jfy-international.com/> »



TPR8 CNC Press Brake

Cost-effective bending machine from JFY sold to more than 5.000 customers. Proven technology with high stability and reliability.



High stability during operation

due to robust C-Frame as well as finite element design of machine body

Flexibility

A brought range of options, tools as well as open height allow the processing of large and complex bending parts in various application scenarios

High-performance CNC control TJS-90

as standard configuration ensures maximum workflow efficiency and operating convenience

Precision

C-Frame design with magnetic scale and mechanical crowning ensure precise movement and bending quality

Premium bending performance

with automatic mechanical crowning in the form of two-way compensation

TPM8 CNC Press Brake

A high-performance bending machine from JFY with high stability and proven technology. Higher productivity and energy saving through servo motor.



High stability during operation
 due to robust C-Frame as well as finite element design of machine body

High-performance CNC control TJS-90

as standard configuration ensures maximum workflow efficiency and operating convenience

Flexibility

A brought range of options, tools as well as open height allow the processing of large and complex bending parts in various application scenarios

Precision

C-Frame design with magnetic scale and mechanical crowning ensure precise movement and bending quality

High productivity

20% faster than conventional bending machines due to servo motor

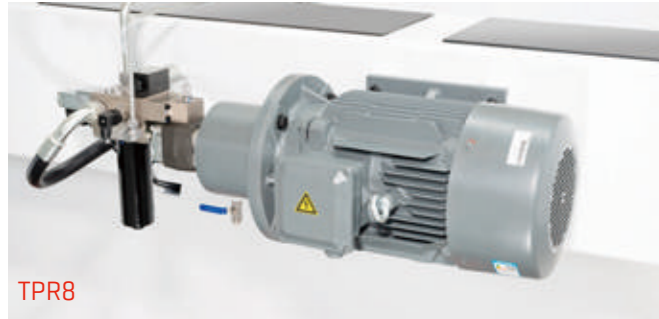
Energy saving

Significant energy saving due to servo motor

Standard Configuration

Main Motor

- For TPM series servo motor is the main power source of hydraulic pump.
- Energy saving of up to 40%, ram efficiency 17-21% higher than TPR8.



TPR8



TPM8

CNC Control

TJS-90

- Windows 7 embedded IPC, 19" LCD touch screen, with multi-touch function.
- Digital / 2D graphic contour programming technology, 3D-view of bending process, automatic preparation of bending process and bending simulation.
- Supporting functions of CAD file import (DXF), 3D files import (IGS).
- Flexible automatic calculation of bending process, and collision detection of workpiece.



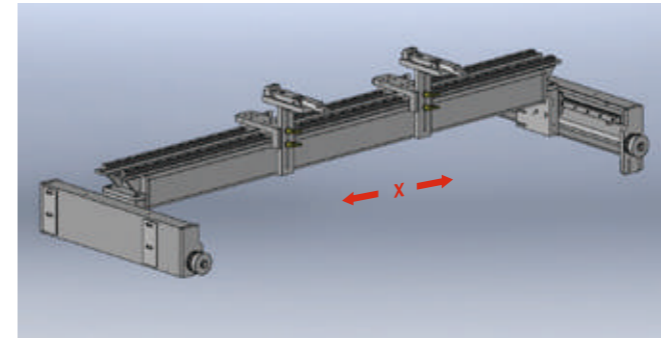
Hydraulic System

- Electro-hydraulic system is adopted to control dual cylinders to get high synchronized controlling accuracy.
- High bending accuracy and repositioning accuracy.
- Integrated hydraulic control system is adopted to reduce pipeline installation.

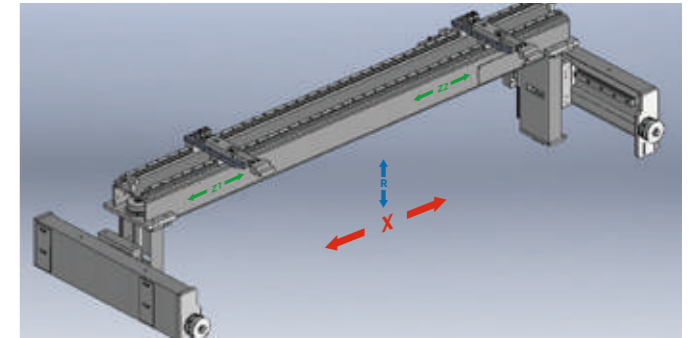


Backgauge System

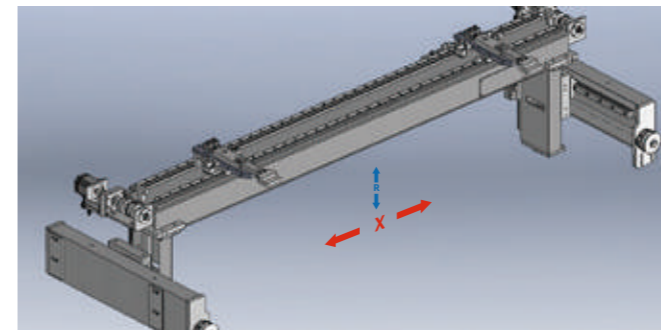
- High speed and high positioning accuracy.
- Multi-functional backgauge which can be extended.
- From standard single axis backgauge to up 6-axis backgauge.



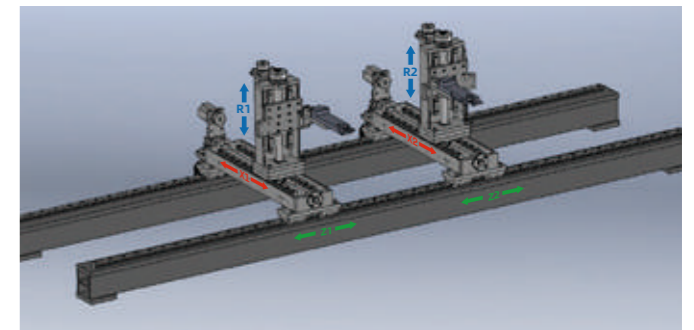
3+1 with X axis on backgauge



4+1 with X-R axis on backgauge



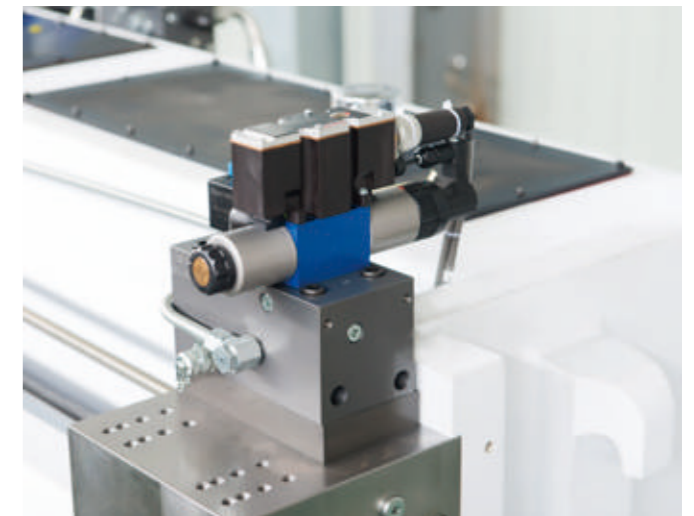
6+1 with X-R-Z1-Z2 axis on backgauge



8+1 with X-R1-Z1-X2-R2-Z2 axis on backgauge

Automatic Mechanical Crowning System

- Crowning system is adopted to eliminate the effect of machine body deformation.
- Crowning value is automatically adjusted by CNC system.
- High accuracy and operating convenience during bending.



Technical Parameter

TPR8 Series

Main Specification	Unit	60T	100T		150T		225T		320T	
Model		060/ 2050	100/ 3100	100/ 4100	150/ 3100	150/ 4100	225/ 3100	225/ 4100	320/ 3100	320/ 4100
Bending force	KN	600	1000	1000	1500	1500	2250	2250	3200	3200
Bending length	mm	2050	3100	4100	3100	4100	3100	4100	3100	4100
Column distance	mm	1600	2700	3700	2700	3700	2700	3700	2700	3700
Throat depth	mm	350	410	410	410	410	410	410	410	410
Throat depth Ram stroke	mm	215	215	215	215	215	215	215	315	315
Closed height *	mm	480/575	480/575	480/575	480/575	480/575	480/575	480/575	580/680	580/680
Hydraulic/Mechanic crowning										
Approaching	mm/s	180	220	220	180	180	160	170	110	120
Working	mm/s	18	14	14	11	11	10	10	9	9
Return	mm/s	180	170	150	150	150	140	140	110	110
Power	kW	7.5	11	11	15	15	22	22	22	22
Oil tank	L	250	400	550	400	550	400	550	400	550
Precision	mm	±0.10	±0.10	±0.10	±0.10	±0.10	±0.10	±0.10	+/- 0.10	+/- 0.10
Stroke	mm	500	500	500	500	500	500	500	500	500
Speed	mm/s	400	400	400	400	400	400	400	400	400
Power	kW	1	1	1	1	1	1	1	1	1
Dimension L×W×H										
L	mm	2900	3950	4950	3970	4950	3980	4980	3510	4510
W	mm	1400	1700	1700	1720	1720	1960	1960	2200	2200
H	mm	2330	2600	2610	2610	2610	2650	2650	3270	3270
Weight										
	kg	5400	8150	9200	10950	12980	11250	14250	19600	23000

Mark: First one is hydraulic crowning closed height, second one is mechanical crowning closed height.

- a) All 2nd throat depth was wrong for TPR&TPM bending parameter, should be Ram stroke.
b) Will increase machine weight in the end, will update all models.

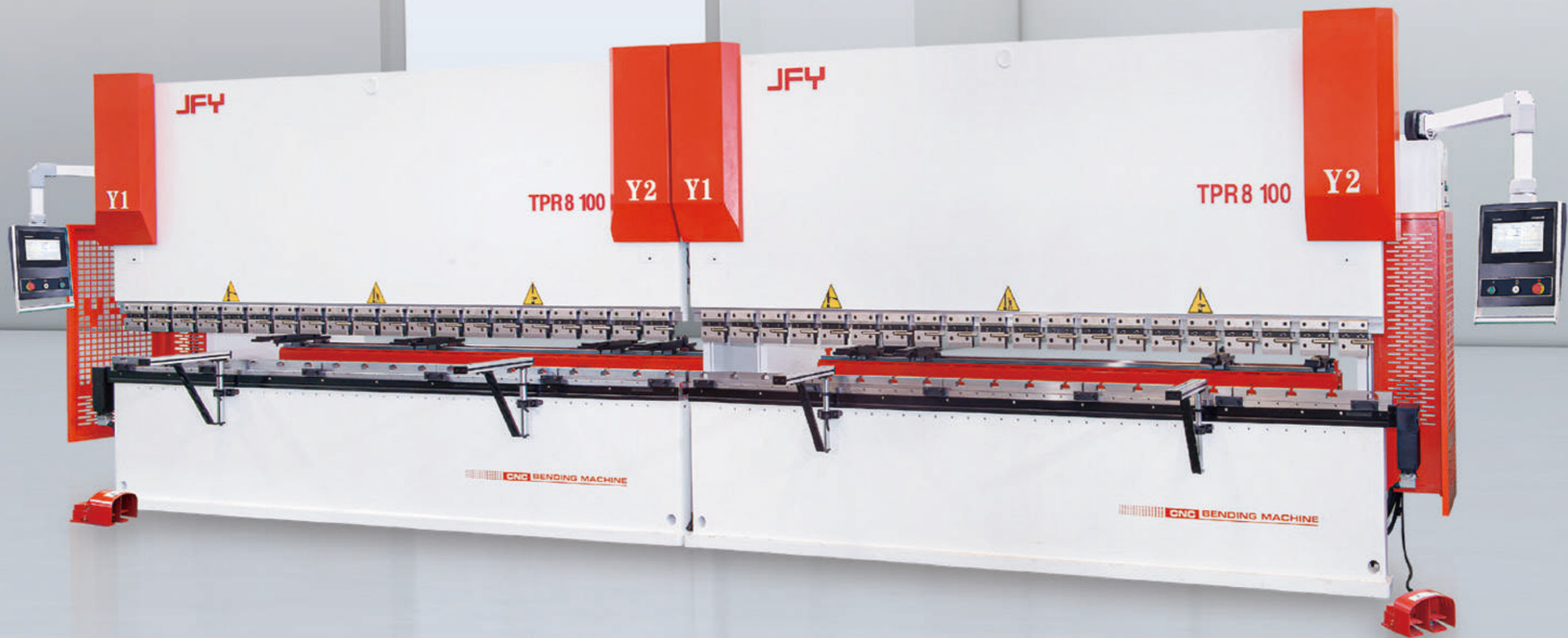
Technical Parameter

TPM8 Series

Main Specification	Unit	60T	100T		150T		225T		320T	
Model		060/ 2050	100/ 3100	100/ 4100	150/ 3100	150/ 4100	225/ 3100	225/ 4100	320/ 3100	320/ 4100
Bending force	KN	600	1000	1000	1500	1500	2250	2250	3200	3200
Bending length	mm	2050	3100	4100	3100	4100	3100	4100	3100	4100
Column distance	mm	1600	2700	3700	2700	3700	2700	3700	2700	3700
Throat depth	mm	350	410	410	410	410	410	410	410	410
Throat depth Ram stroke	mm	215	215	215	215	215	215	215	315	315
Closed height *	mm	480/575	480/575	480/575	480/575	480/575	480/575	480/575	580/680	580/680
Hydraulic/Mechanic crowning										
Approaching	mm/s	180	220	220	180	180	160	170	110	120
Working	mm/s	18	17	17	14	14	12	12	9	9
Return	mm/s	180	210	200	180	180	160	160	110	110
Power	kW	6	10.8	10.8	13.2	13.2	16.7	16.7	21.4	21.4
Oil tank	L	250	400	500	400	550	400	550	400	550
Precision	mm	±0.10	±0.10	±0.10	±0.10	±0.10	±0.10	±0.10	+/- 0.10	+/- 0.10
Stroke	mm	500	500	500	500	500	500	500	500	500
Speed	mm/s	400	400	400	400	400	400	400	400	400
Power	kW	1	1	1	1	1	1	1	1	1
Dimension L×W×H										
L	mm	2900	3950	4950	3970	4950	3980	4980	3510	4510
W	mm	1400	1700	1700	1720	1720	1960	1960	2200	2200
H	mm	2330	2600	2610	2610	2610	2650	2650	3270	3270
Weight										
	kg	5400	8150	9200	10950	12980	11250	14250	19600	23000

Tandem bending machine

Tandem bending machines can be used in a flexible way to bend either long-profiles or as small parts if they are used independently.



Punching Technology

Versatile with strong potential

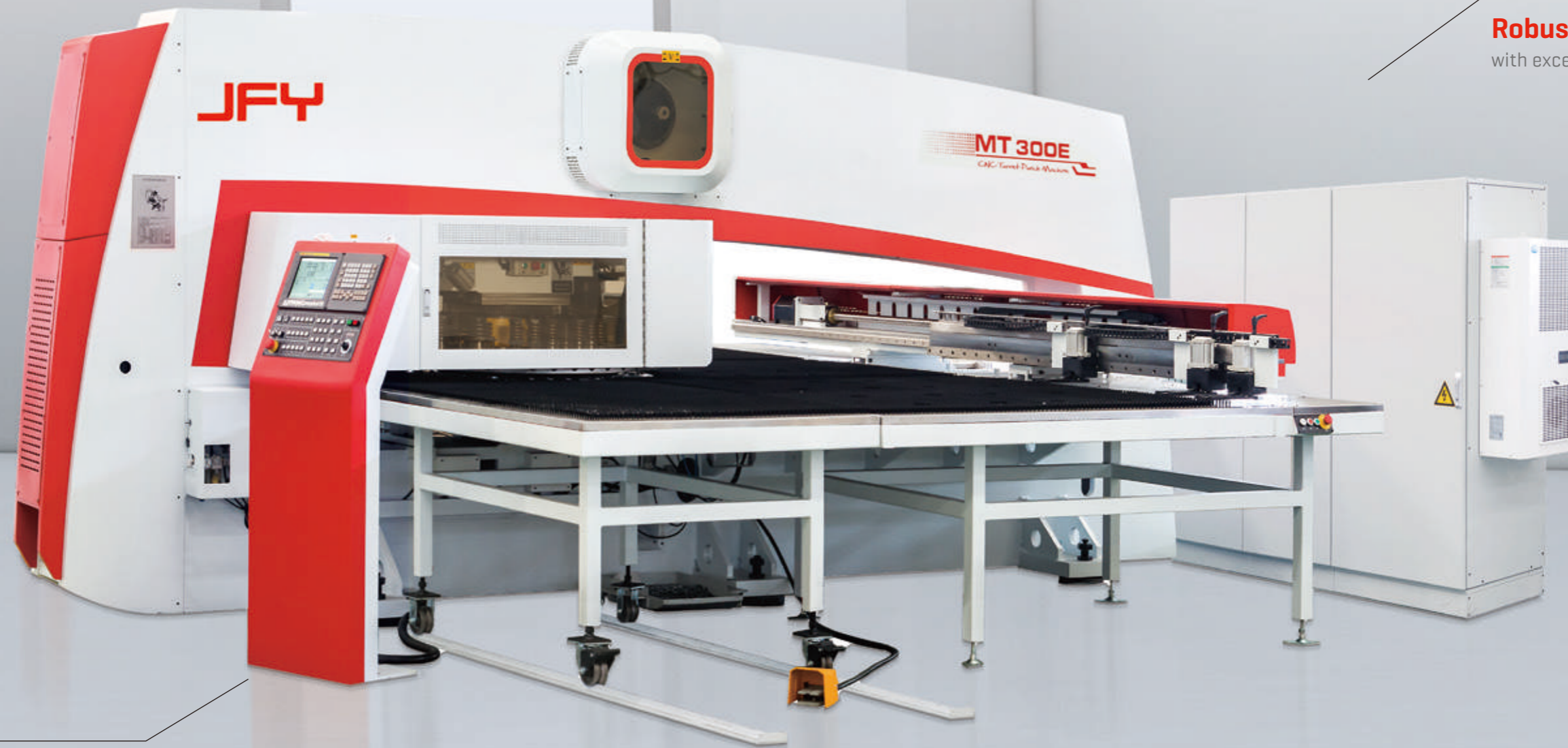
Punching encompasses far more than just making holes in sheets. You can manufacture complete parts on a punching machine. Reshaping processes opens new productivity dimensions for your company. With appropriate loading and unloading systems, you can even automate your production.

<https://jfy-international.com/> »



MT Turret Punching Machine

High performance punching machine with high stability and low investment costs. MT300E is among the leading turret punching machines in China with a market share of more than 20%.



Robust technology
with excellent processing quality

High operating convenience

Quick change die holder and auto-index function as standard configuration

High position accuracy

through ball screw drive in X-axis

Significant energy saving

through servo motor and noise reduction through soft punch function

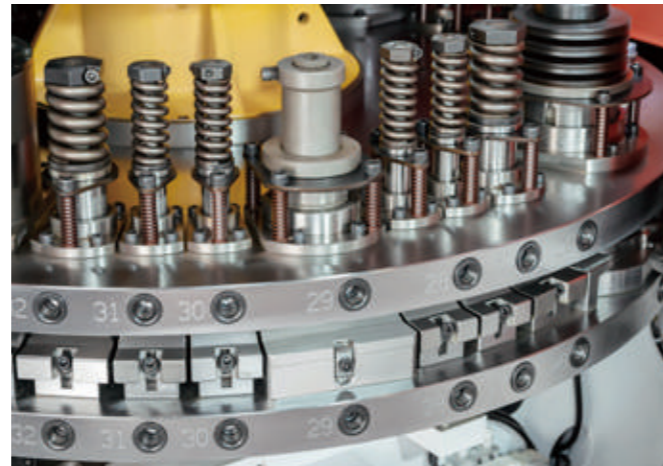
Broad range of options and punching tools

allow the processing of large and complex parts

Standard Configuration

Mechanical Parts

- MT300E is the ultimate solution for all your punching needs. Based on a direct drive torque servo motor and a drive unit with high overload capacity, MT300E ensures low energy consumption, high transmission efficiency, reliable performance, and convenient maintenance.
- MT300E safeguards maximum punching quality, as it is able to adjust the punch force to the required sheet thickness and running speed.
- The clamping technology is advanced - floating clamps ensure smooth feeding, the automatic clamps protection function avoid damage to both clamps and punching tools.
- The standard turret of MT300E provides 32 stations, that is ample space for a variety of punching needs (e.g. punching of holes or shapes).



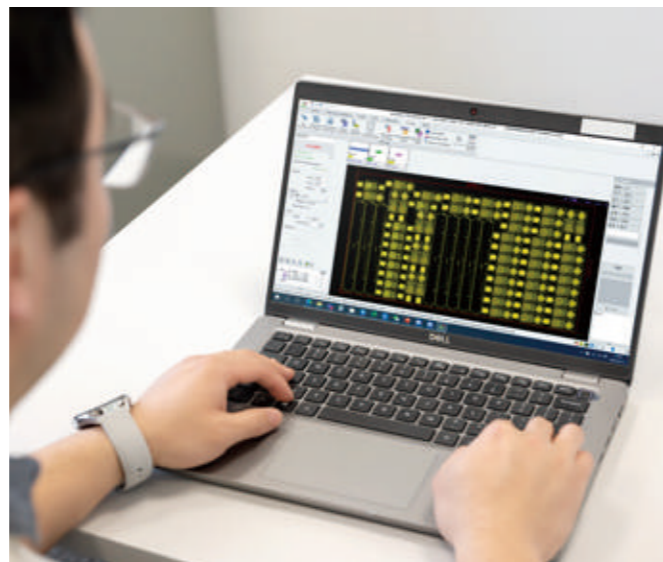
CNC System

The CNC system is easy to operate due to the simplified [g-code] programming language.



Programming Software

The programming software enables CAD files to be converted into NC code for turret punching machines. Efficient programs are generated with just a few clicks, resulting in optimized material utilization and machine run time.



Technical Parameter

No.	Specification	Unit	Machine Model		
			MT300E		
1	Max. punch force	kN	300		
2	Main driving type		Single servo motor		
3	CNC system		FANUC CNC system		
4	Max. sheet processing size [with one time repositioning]	mm	1250*5000	1500*5000	2000*5000
5	No. of clamps	pcs	3		
6	Max. processing sheet thickness	mm	3.2/6.35		
7	Max. punch diameter per time	mm	Φ88.9		
8	Max. punch hit at 1mm pace	hpm	780		
9	Max. punch hit at 25mm pace	hpm	400		
10	Max. nibbling speed	hpm	2000		
11	No. of repositioning cylinders	pcs	2		
12	No. of stations	pcs	32		
13	No. of auto index	pcs	2		
14	No. of controlling axis		5 [X, Y, V, T, C]		
15	Tooling type		Long Type		
		X Axis	80		
		Y Axis	80		
16	Max. feeding speed	m/min	XY combined		
			113		
17	Turret speed	rpm	30		
18	Hole accuracy	mm	±0.1		
19	Power supply	kVA	45		
20	Air pressure	MPa	0.55		
21	Air consumption	L/ min	250		
22	Dimension	mm	5350*5200*2360	5850*5200*2360	6900*5200*2360
23	Weight	kg	17000	18000	25300

JFY Services

To ensure your future success, you need a reliable business partner and services. Whether this means creating the best conditions for production or using your JFY products effectively, we will support you to leverage your equipment in the best way. So you can produce cost effectively and at a constantly high level.

Comprehensive training program

If you wish to create the best conditions for successful manufacturing - we will support you. Use our comprehensive training program to expand your knowledge and get a competitive edge. Having the appropriate training enables you, for example, to program your laser machine more quickly.



Technical Service

If the availability and flexibility of your machine is key to you, our technical service of JFY International will assist you. You can get in touch with us very easily by phone, email, or website. Our technical service team is at your service 24 hours a day, 7 days a week. You can get in touch with us very easily by phone, email, or website.



Tooling

At JFY, our ambition is to provide our customers high quality products at an attractive price. With our expansion into tooling, we are offering our customers the same precision and quality standard as for our machines.

